

128 mm / 5.04 in

197 mm / 7.76 in

G1

A1

A1

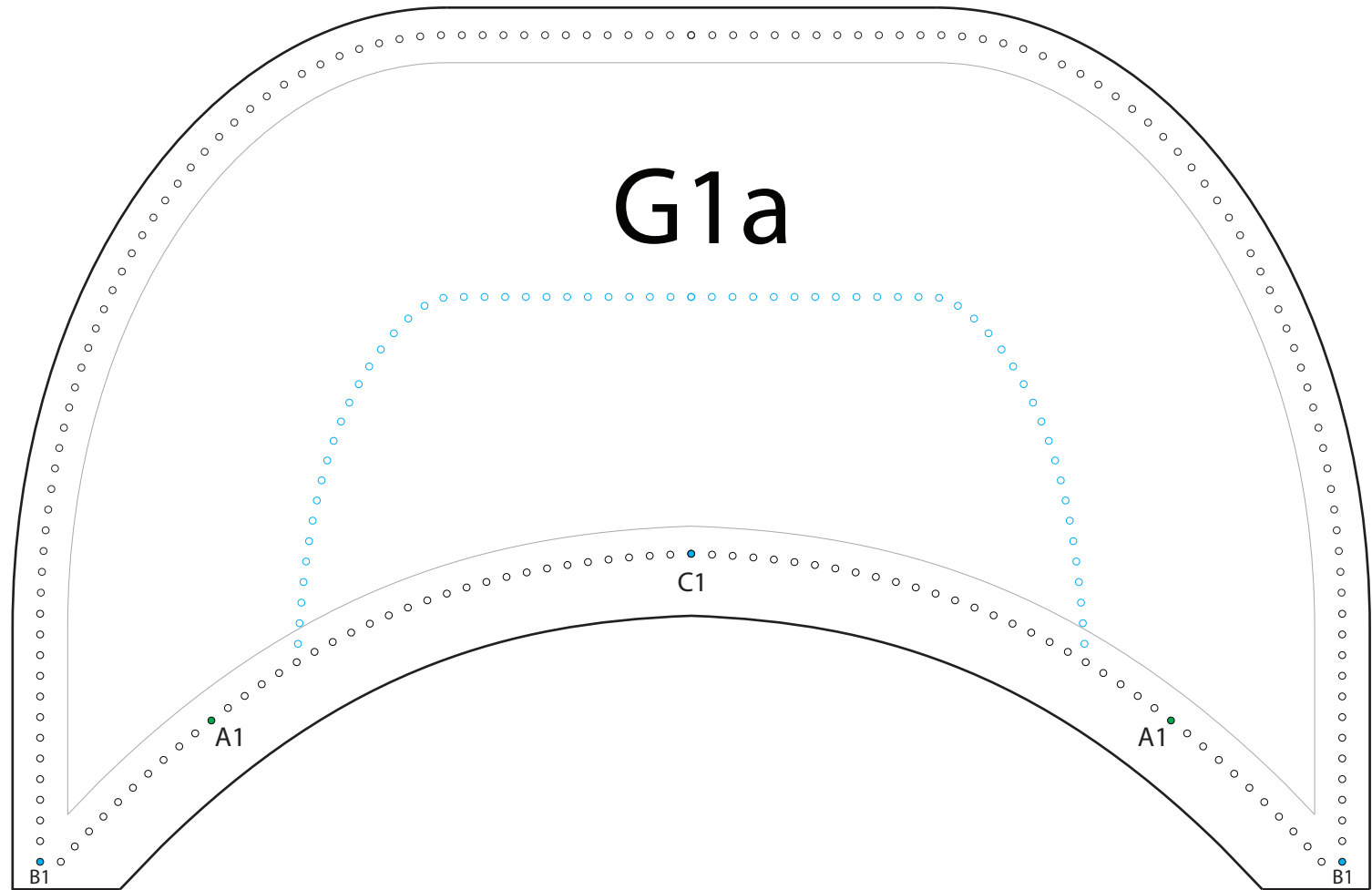
B1

B1

C1

20mm

1 inch



G1a

A1

A1

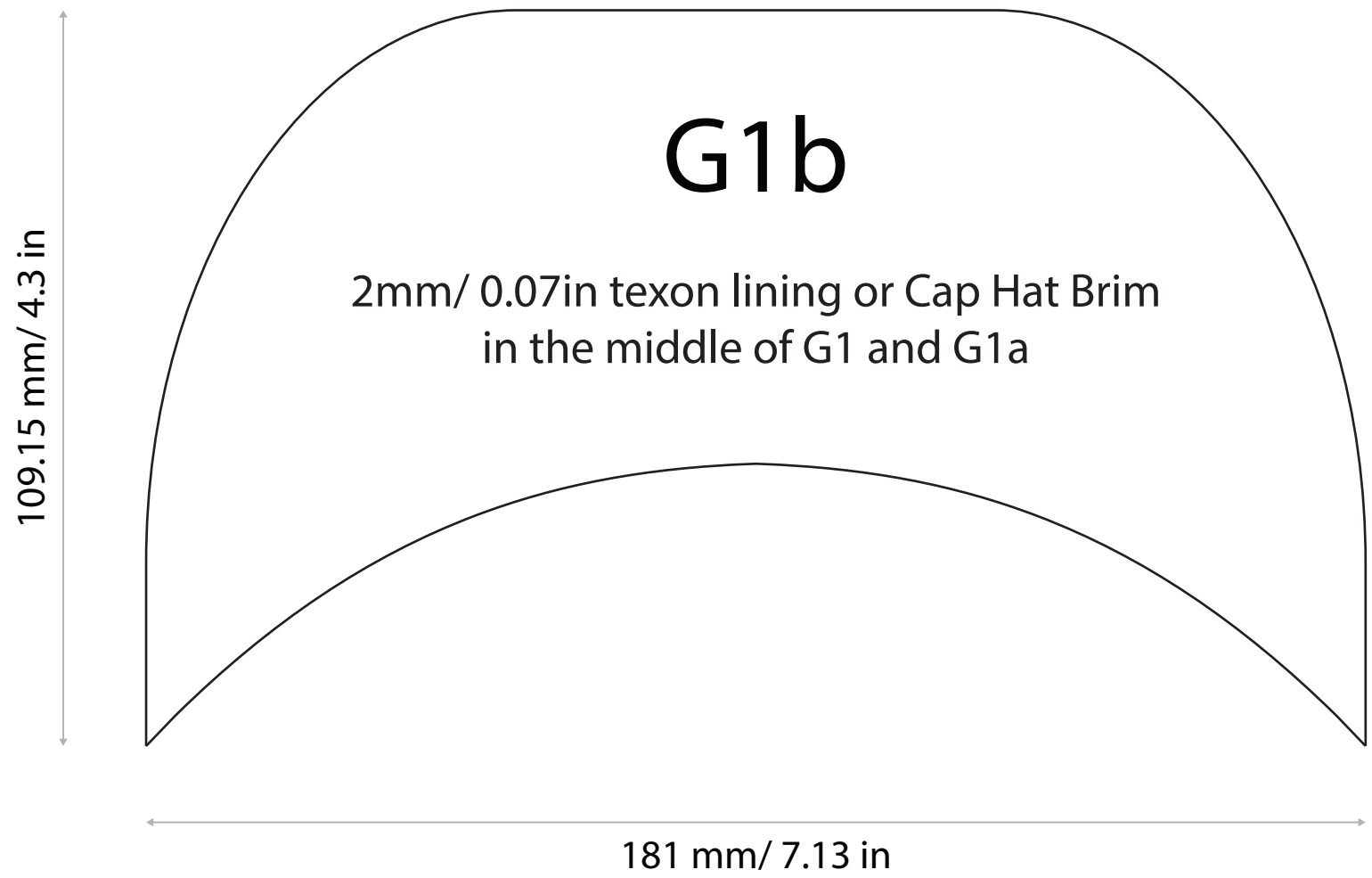
C1

B1

B1

20mm

1 inch



G1b

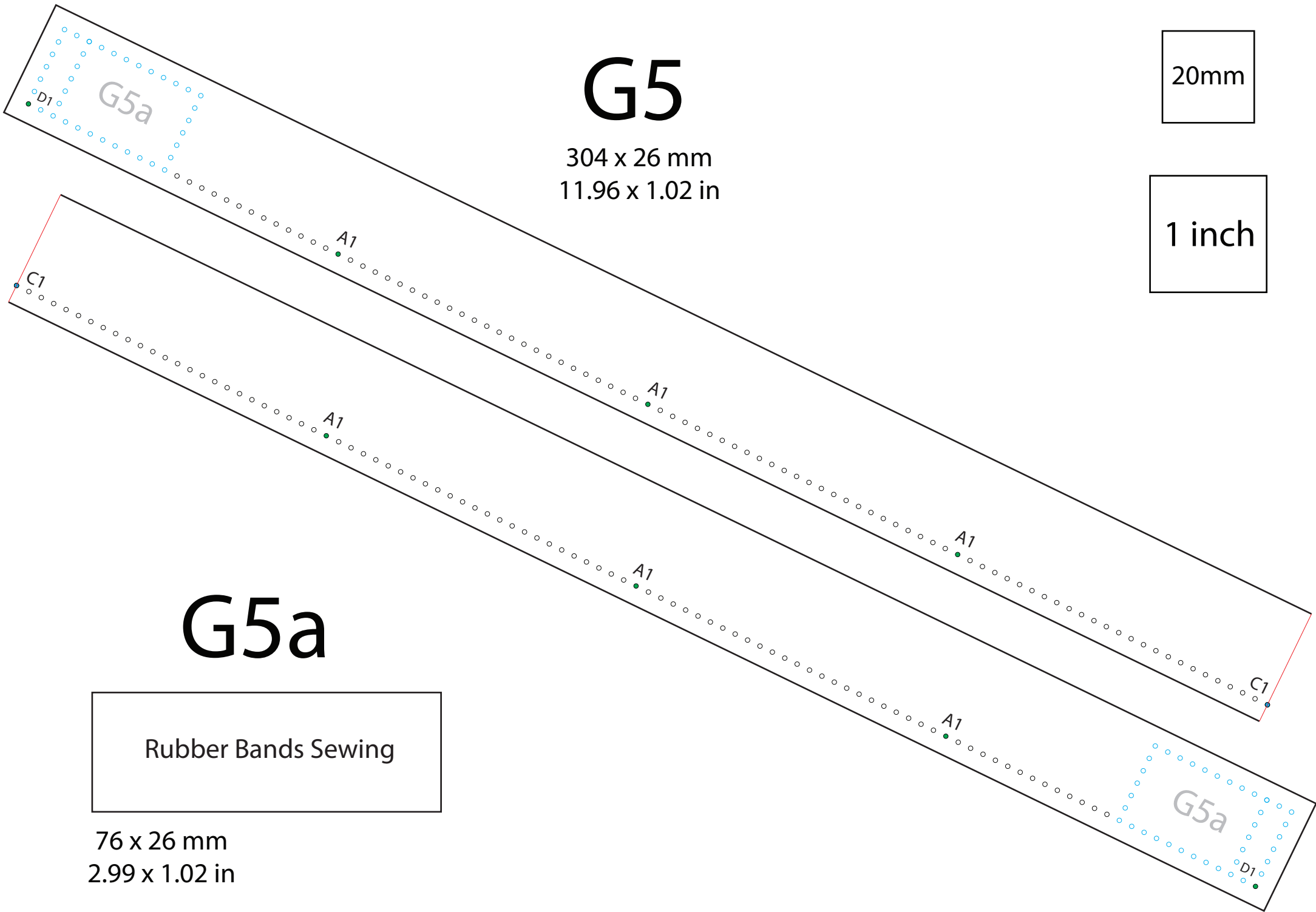
2mm / 0.07in texon lining or Cap Hat Brim
in the middle of G1 and G1a

109.15 mm / 4.3 in

181 mm / 7.13 in

20mm

1 inch



G5

304 x 26 mm
11.96 x 1.02 in

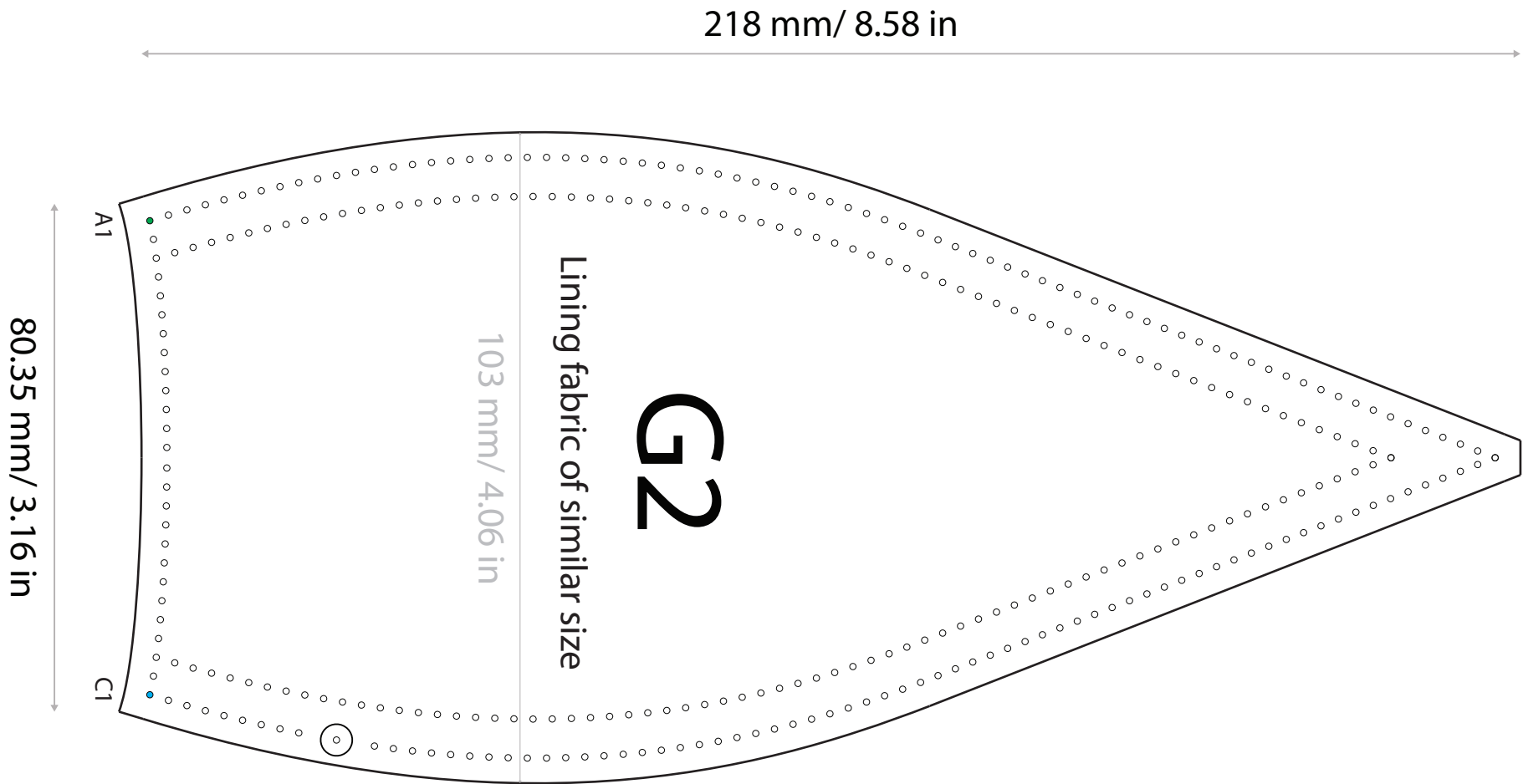
20mm

1 inch

G5a

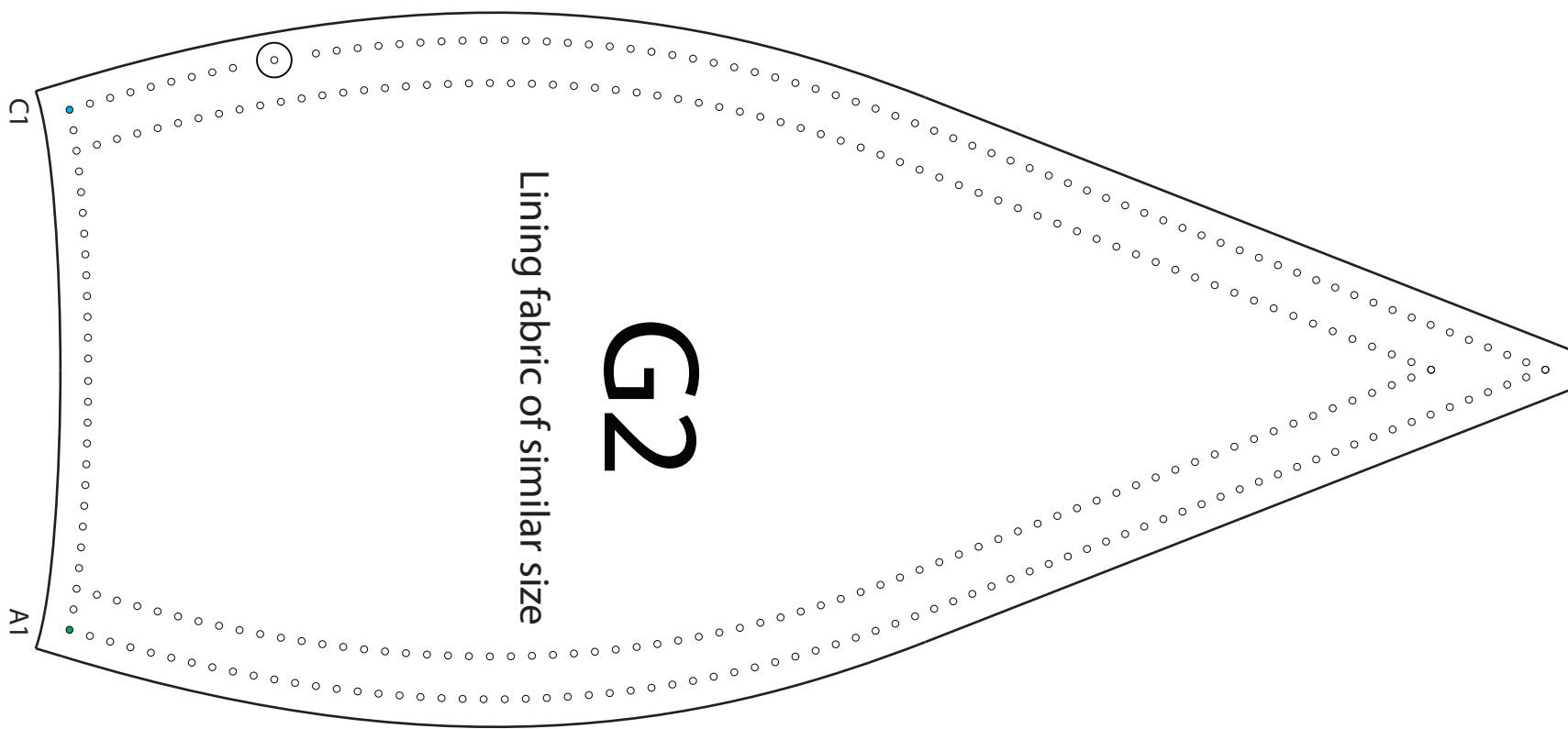
Rubber Bands Sewing

76 x 26 mm
2.99 x 1.02 in



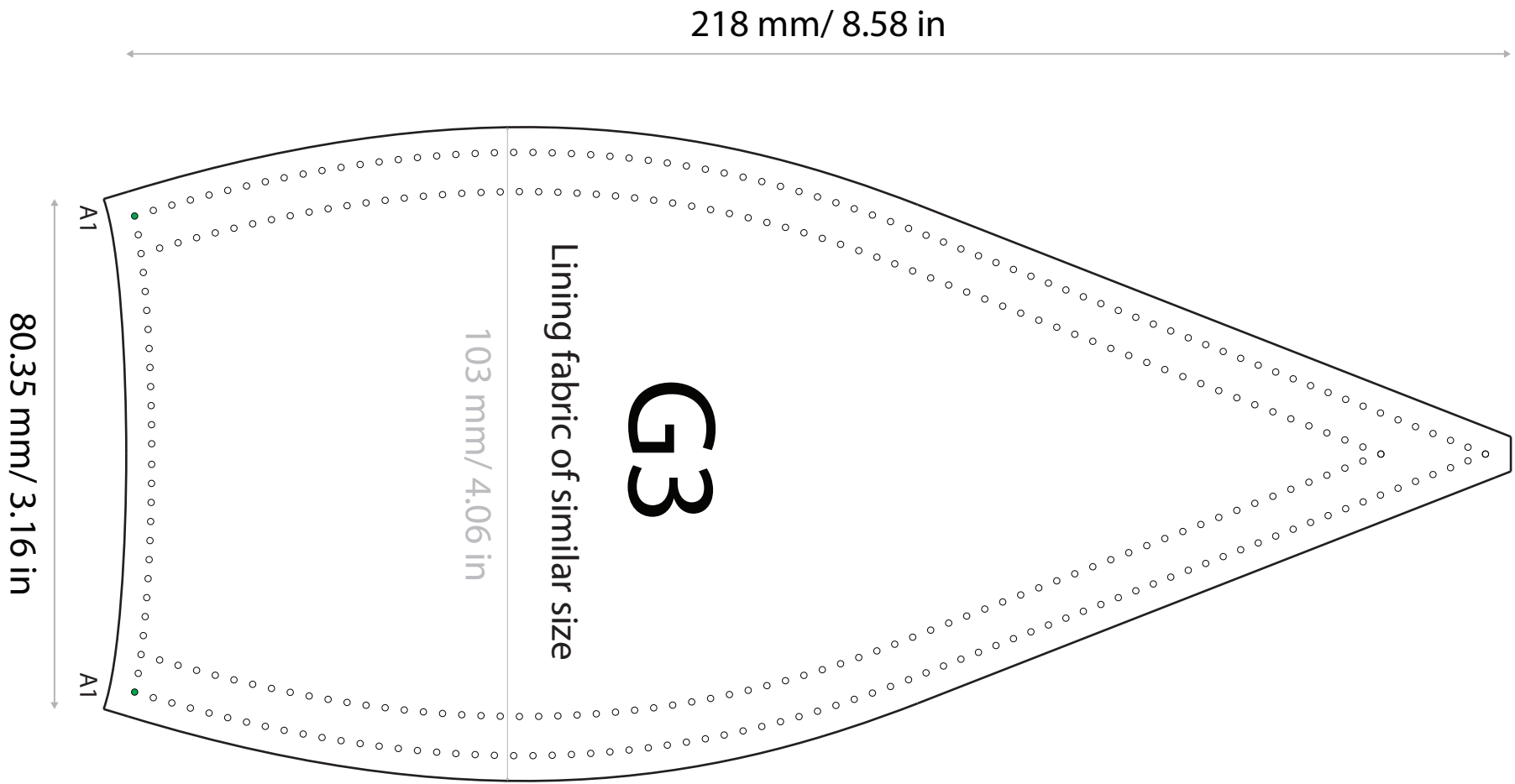
20mm

1 inch



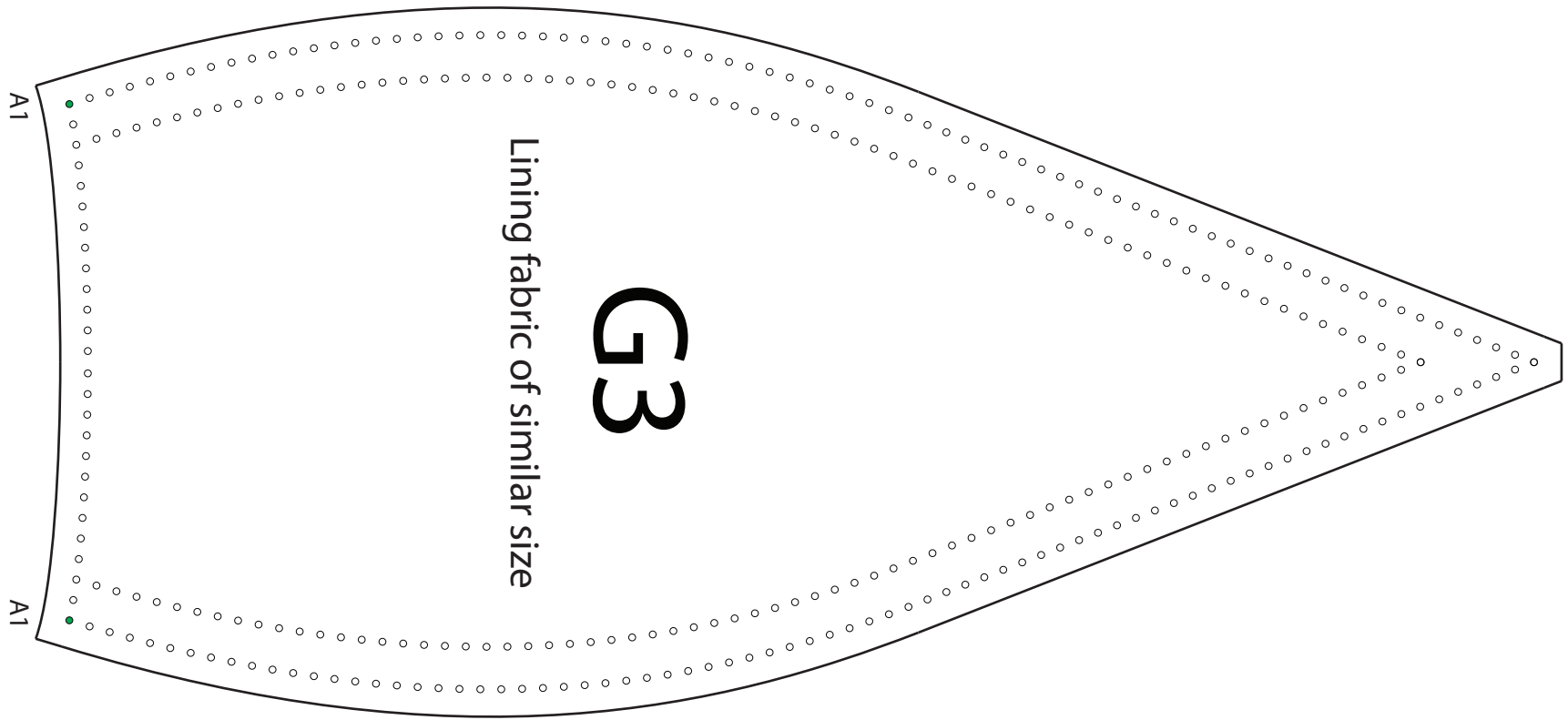
20mm

1 inch



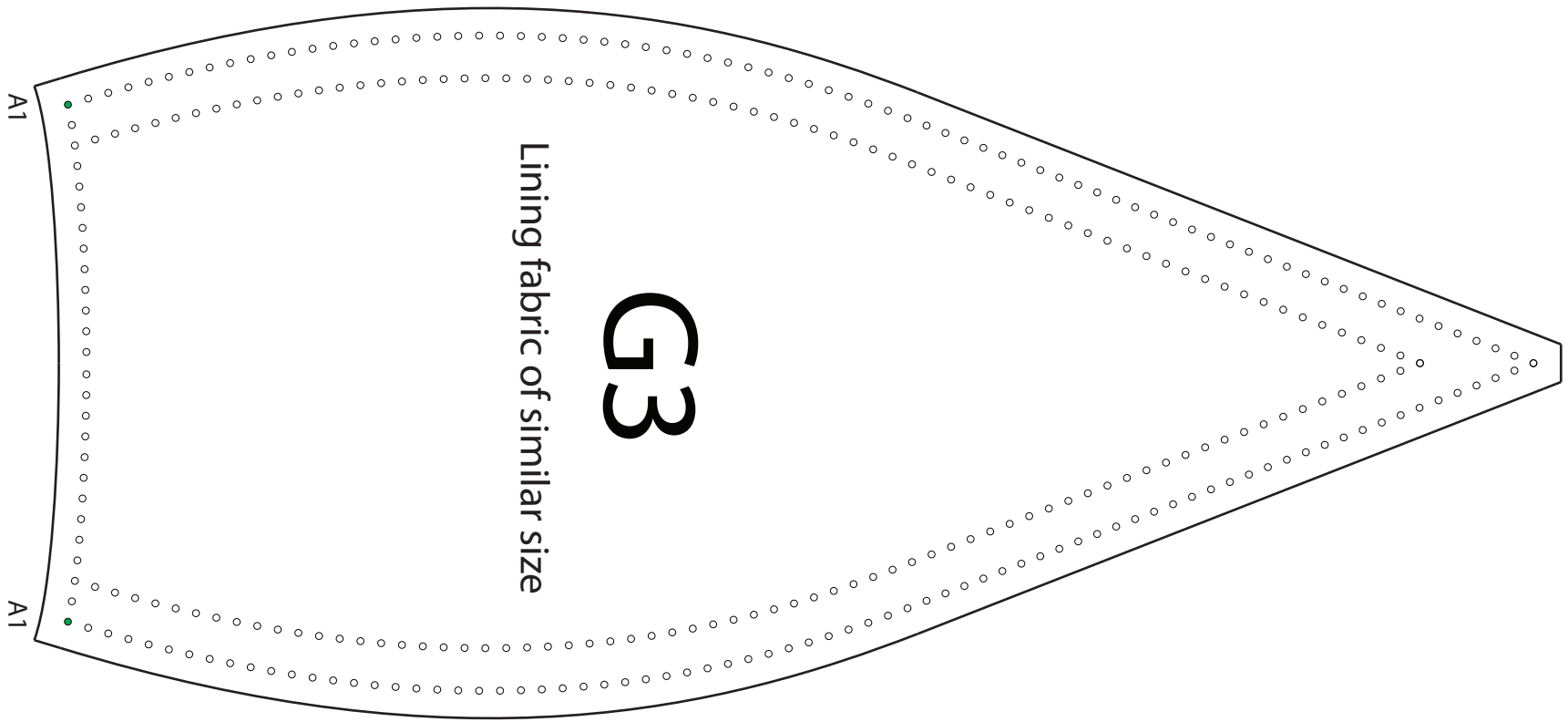
20mm

1 inch



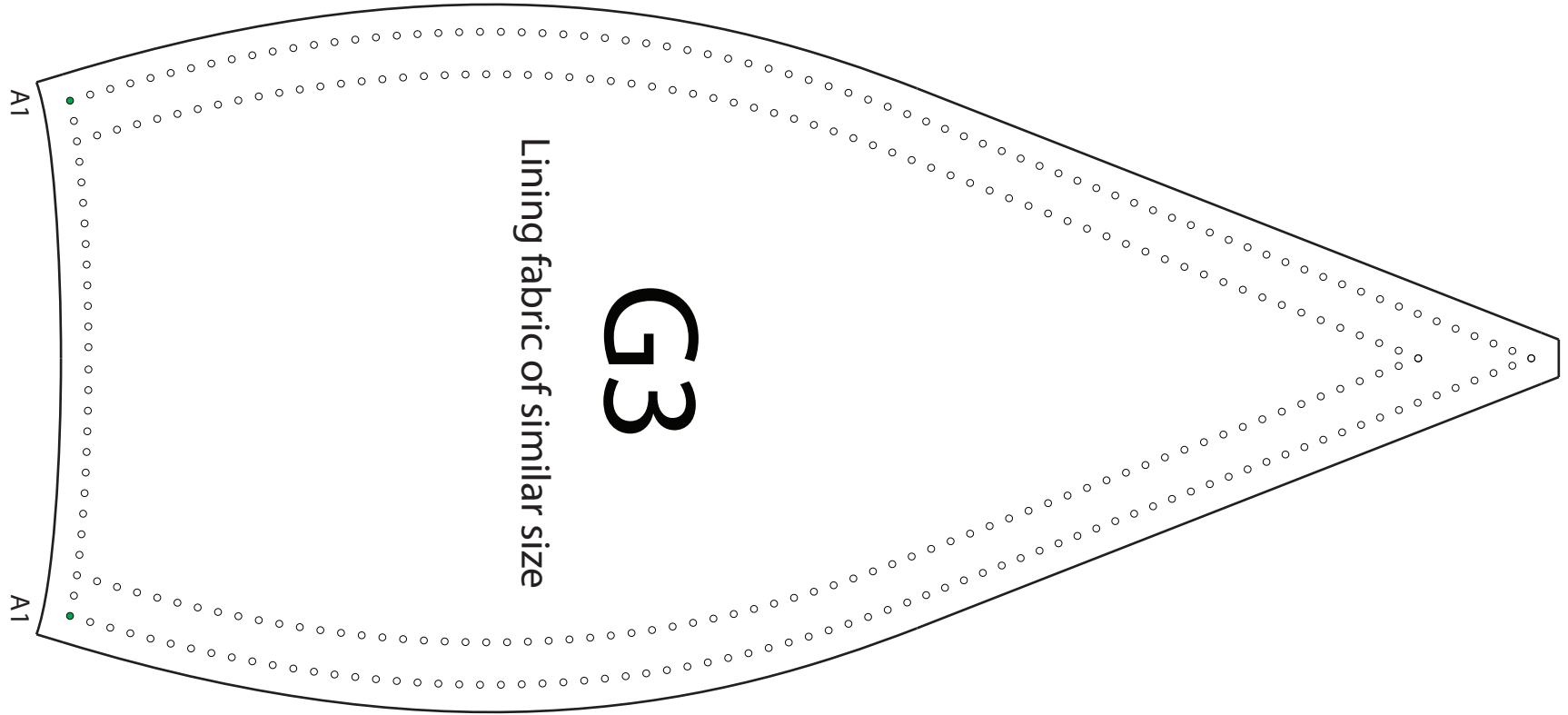
20mm

1 inch



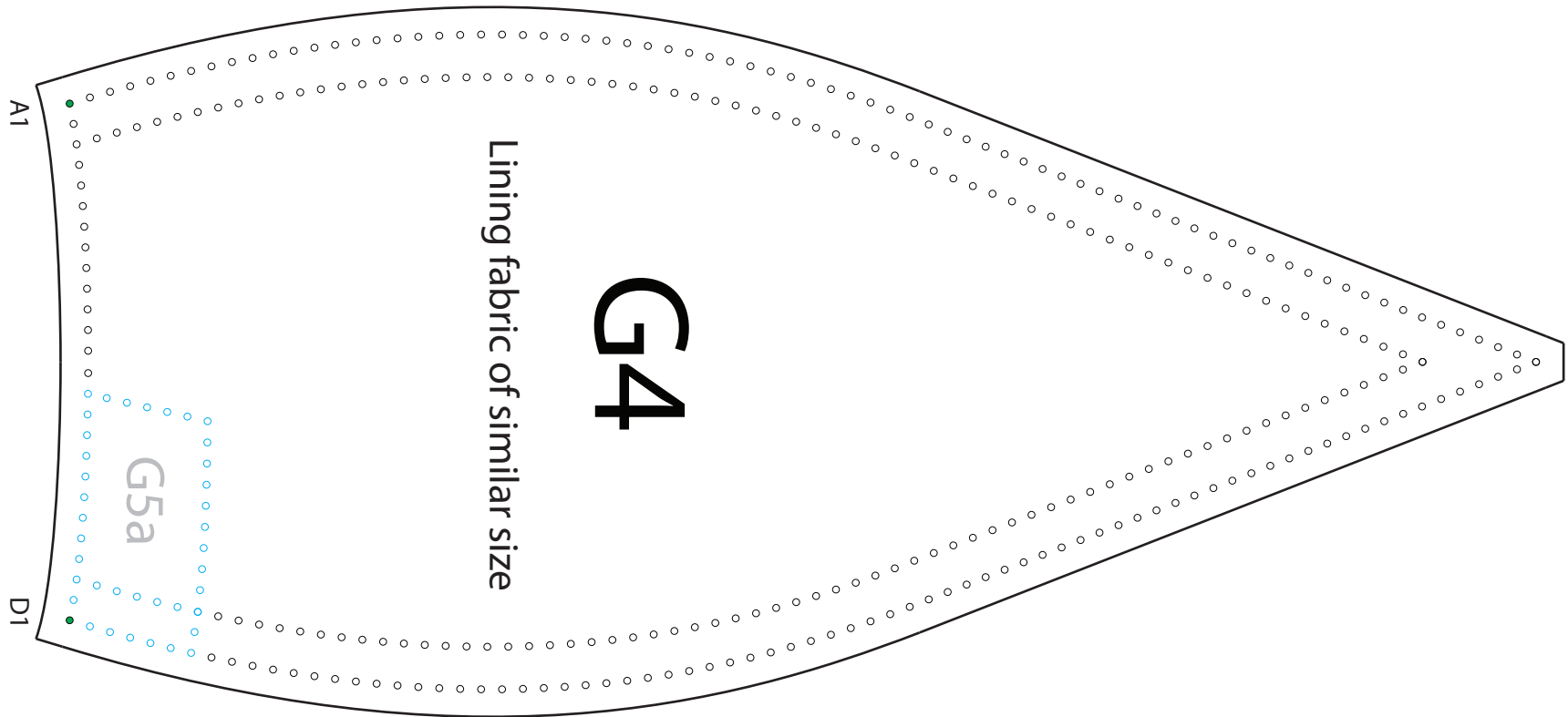
20mm

1 inch



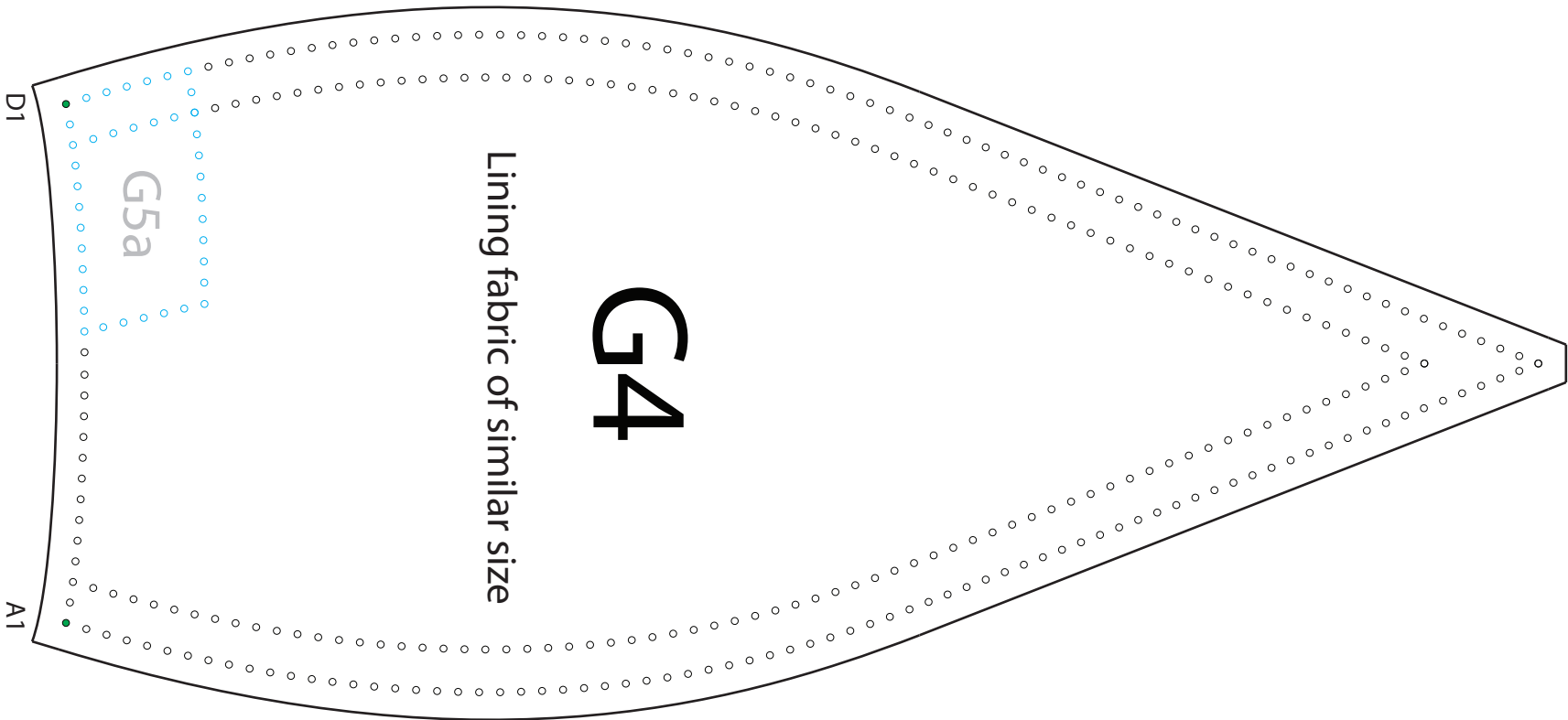
20mm

1 inch



20mm

1 inch



20mm

1 inch