

2"

Cut on fold / Grainline

2.5cm x 2.5cm

1" x 1"

2"

2"



2

Side

Cut 1 on the fold from main fabric

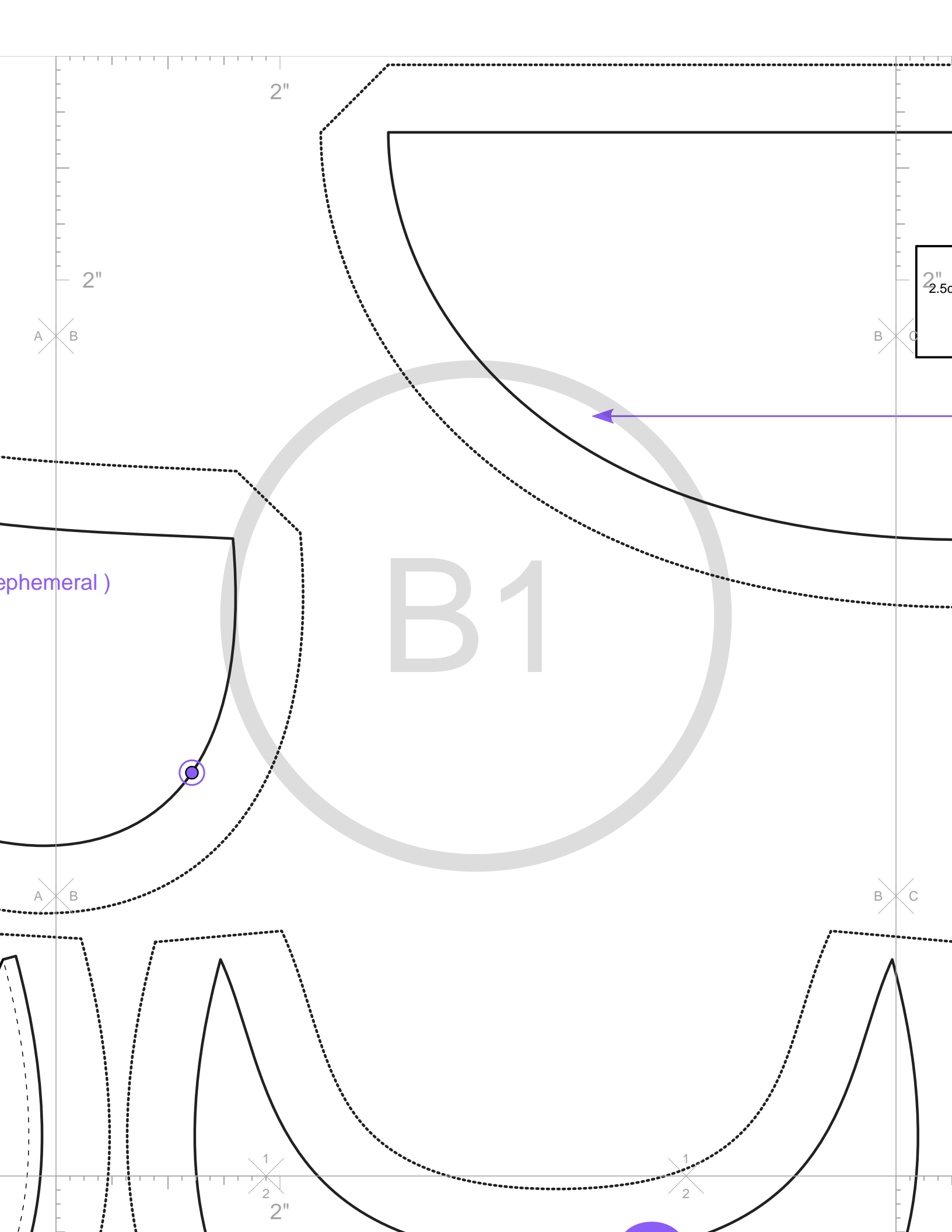
Cut 1 on the fold from lining



2"



2



2"

2"

A x B

B x C

2"
2.5c

ephemeral)

B1

A x B

B x C

1
2
2"

1
2

2"



1

Top

2.5cm x 2.5cm

1" x 1"

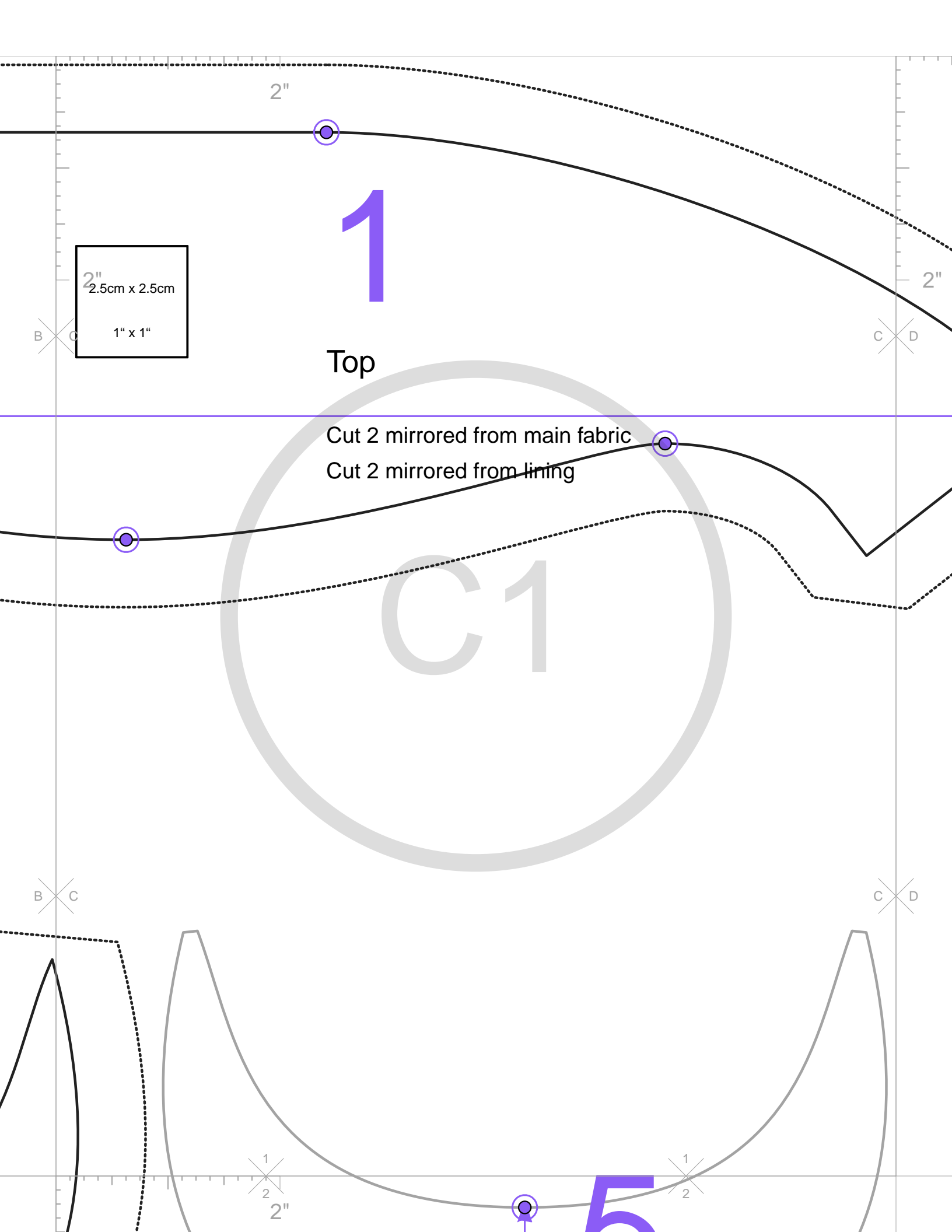
Cut 2 mirrored from main fabric
Cut 2 mirrored from lining

C1

2"



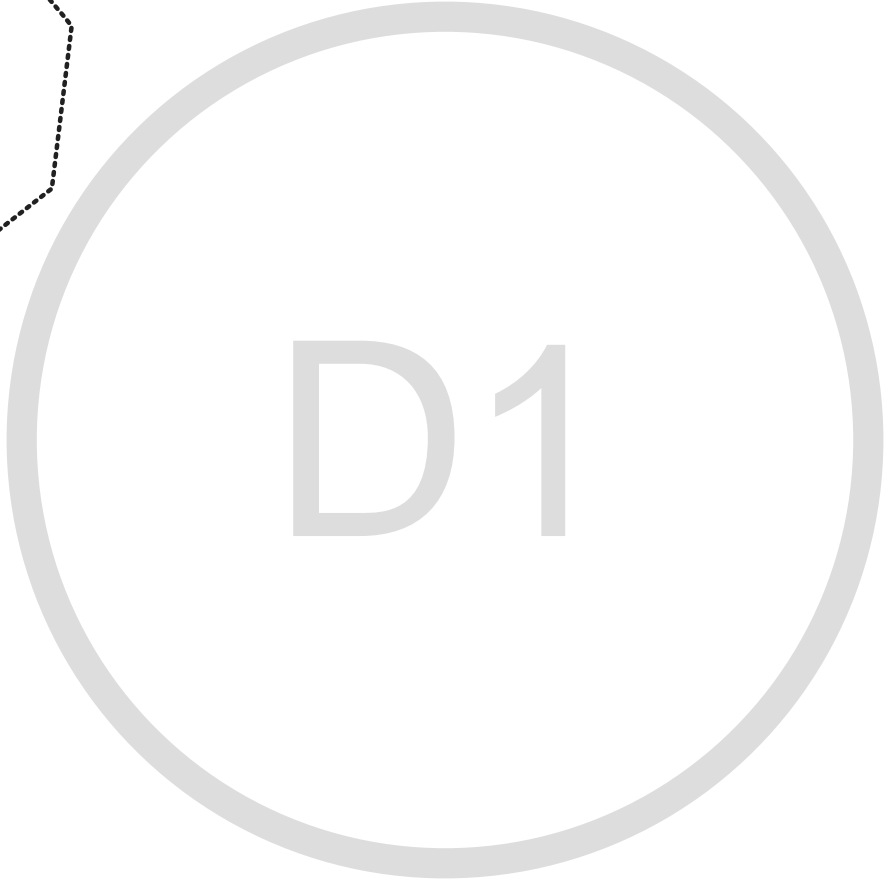
5



2"

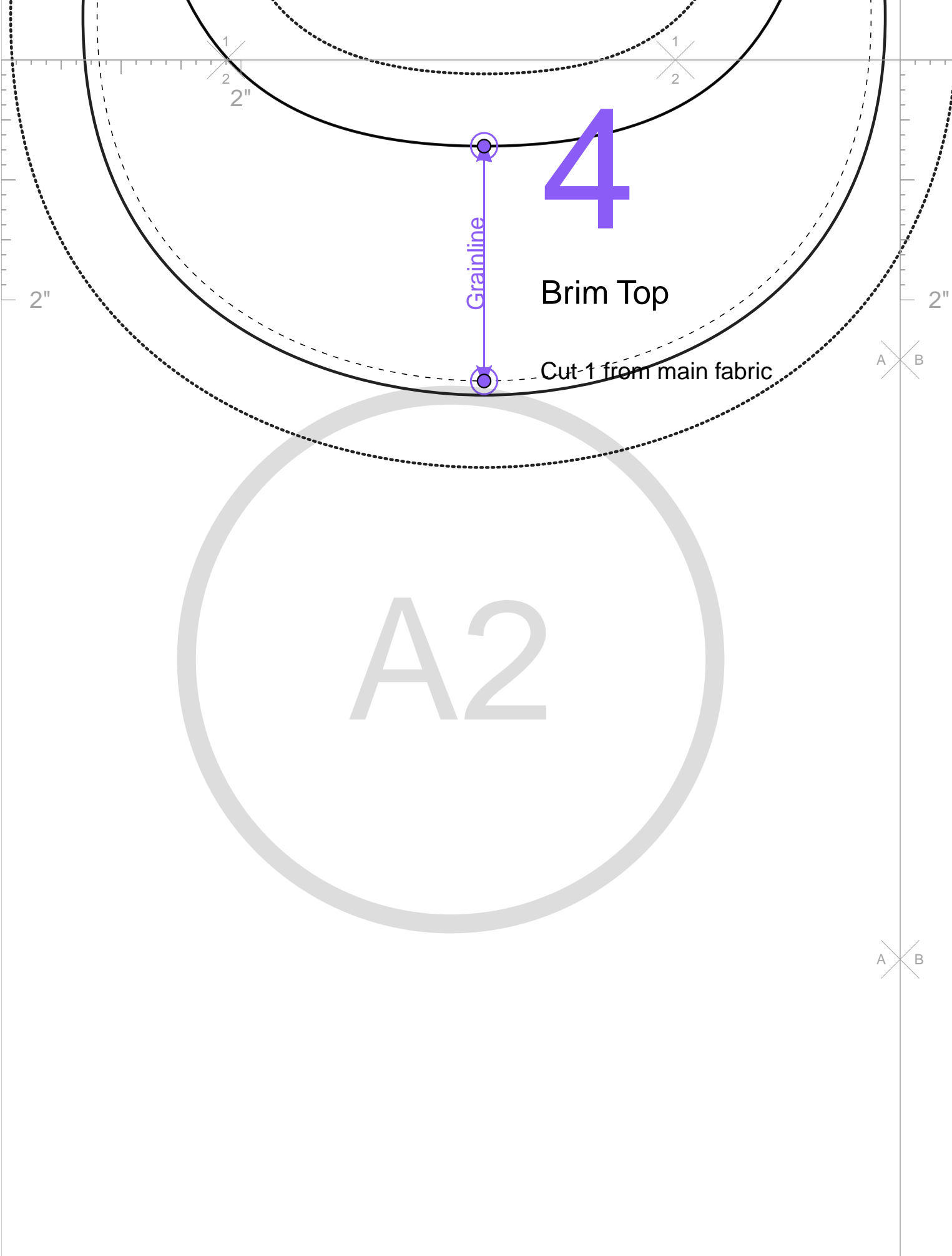
2"

C D



C D





4

Brim Top

Cut 1 from main fabric

Grainline

A2

1
2
2"

1
2

2"

2"

A B

A B

1
2
2"

1
2

3

Grainline

Brim bottom

Cut 1 from main fabric

2"

2"

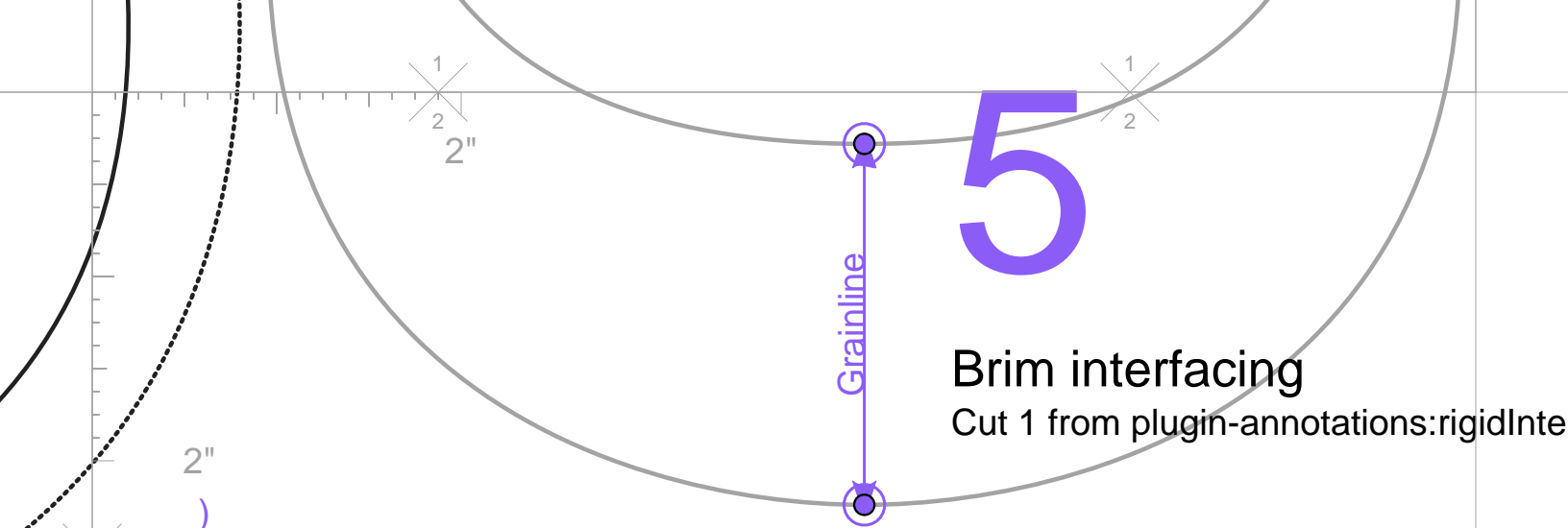
A B

B C

B2

A B

B C



5

Grainline

Brim interfacing

Cut 1 from plugin-annotations:rigidInte



C2

B C

B C