

2"

Cut on fold / Grainline

2"

2.5cm x 2.5cm

1" x 1"

2"

A B

A1

2

Side

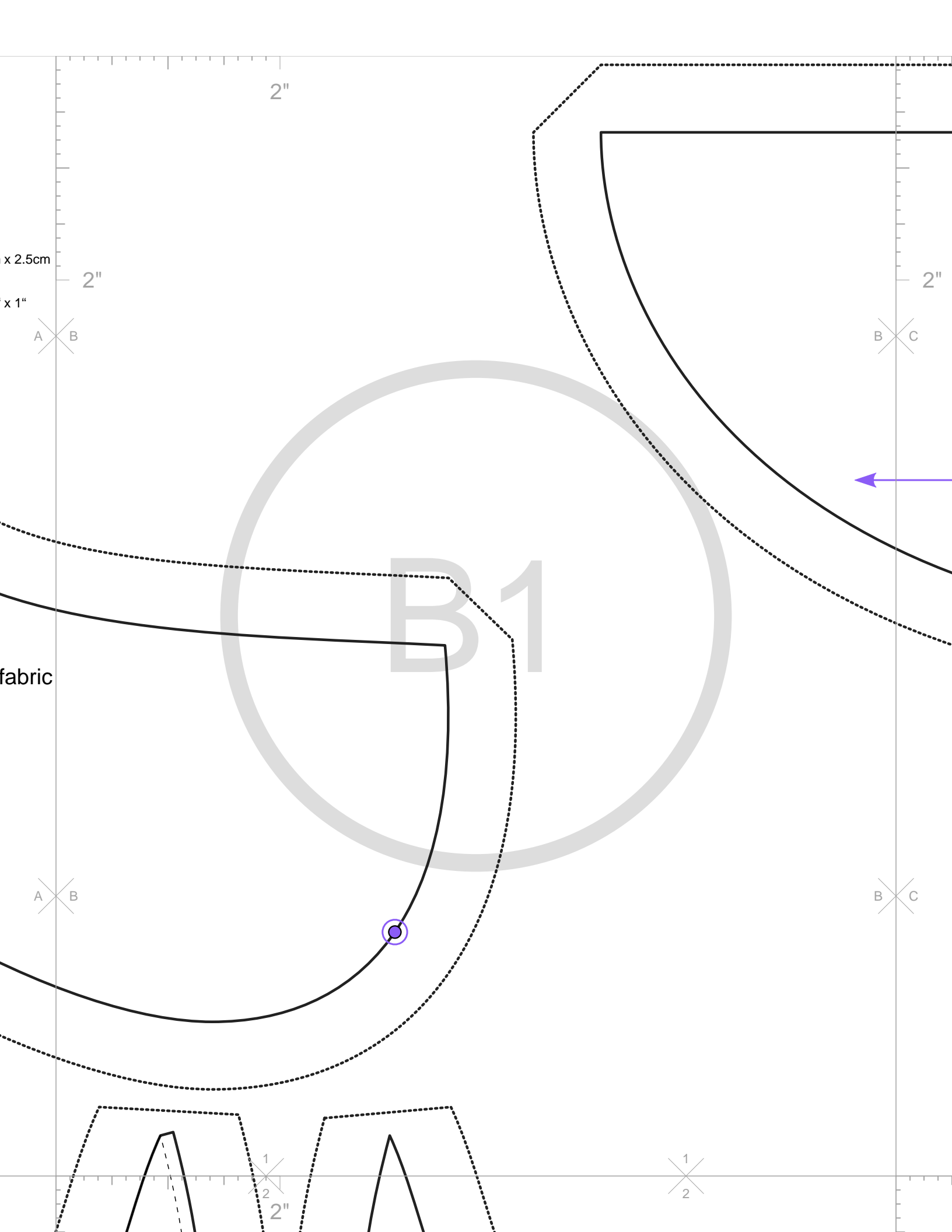
the fold from main fabric

Cut 1 on the fold from lining

A B

1
2
2"

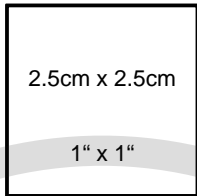
1
2



2"

2"

2"



1

Top

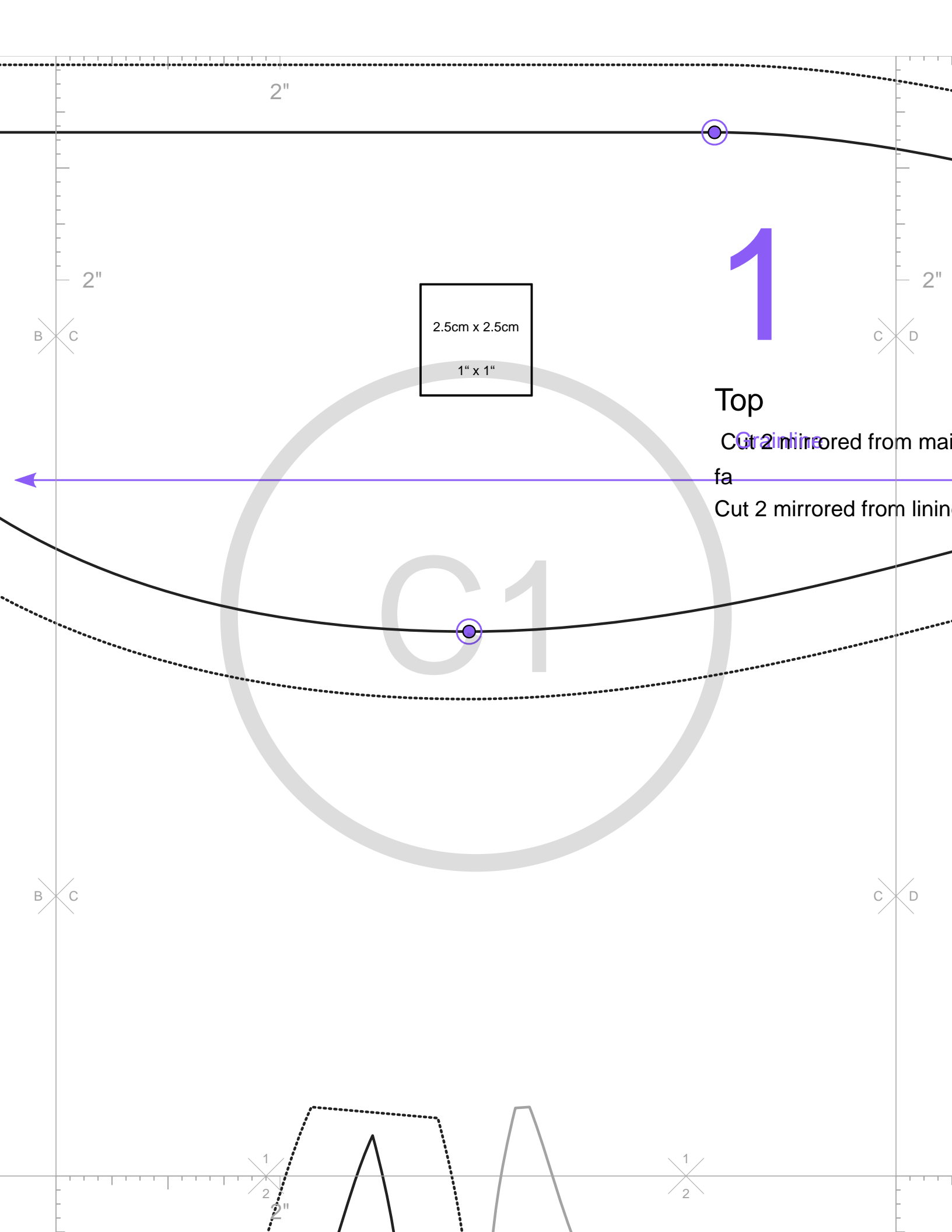
Cut 2 mirrored from main
fa
Cut 2 mirrored from lining

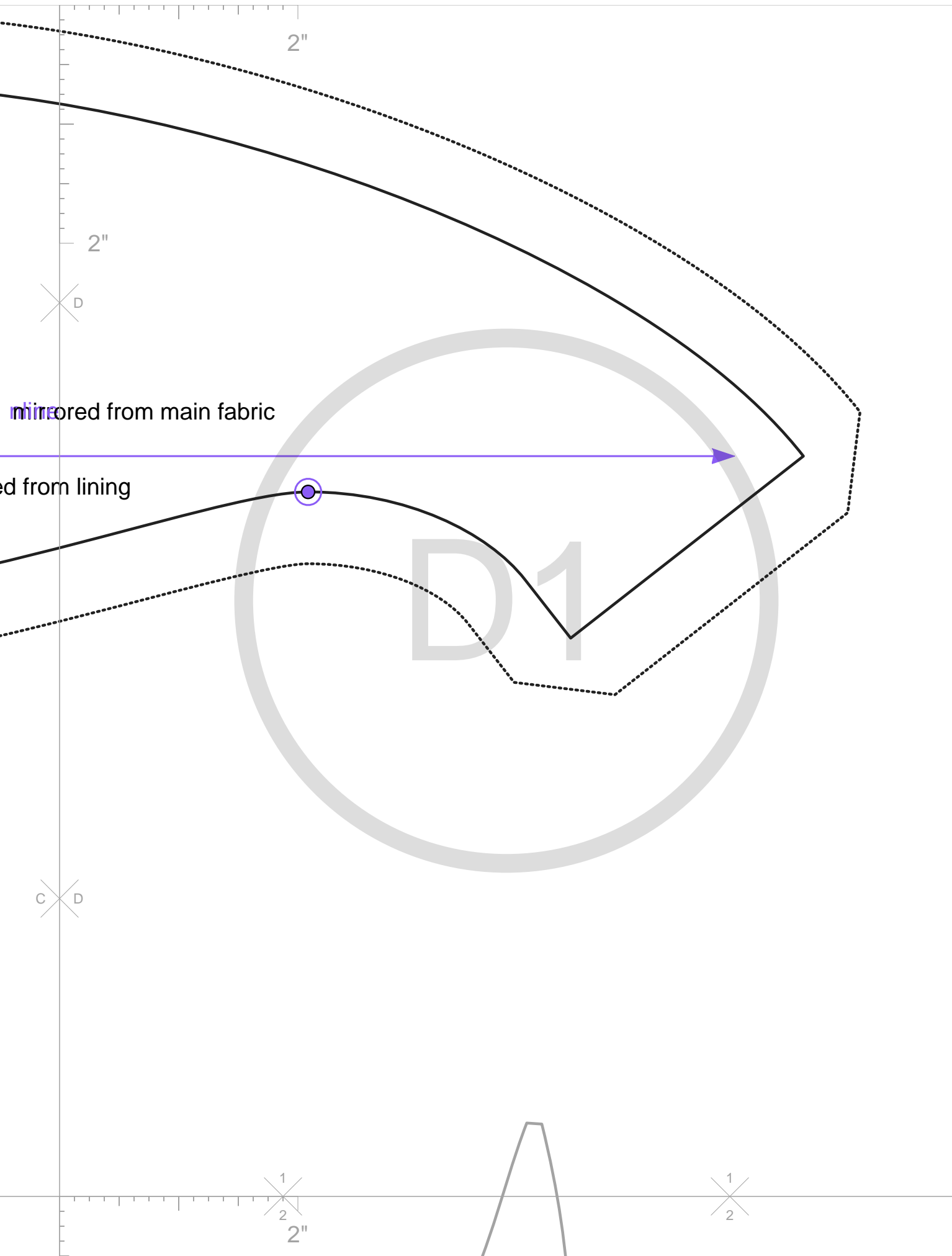


C1



2"





2"

2"

D

moved from main fabric

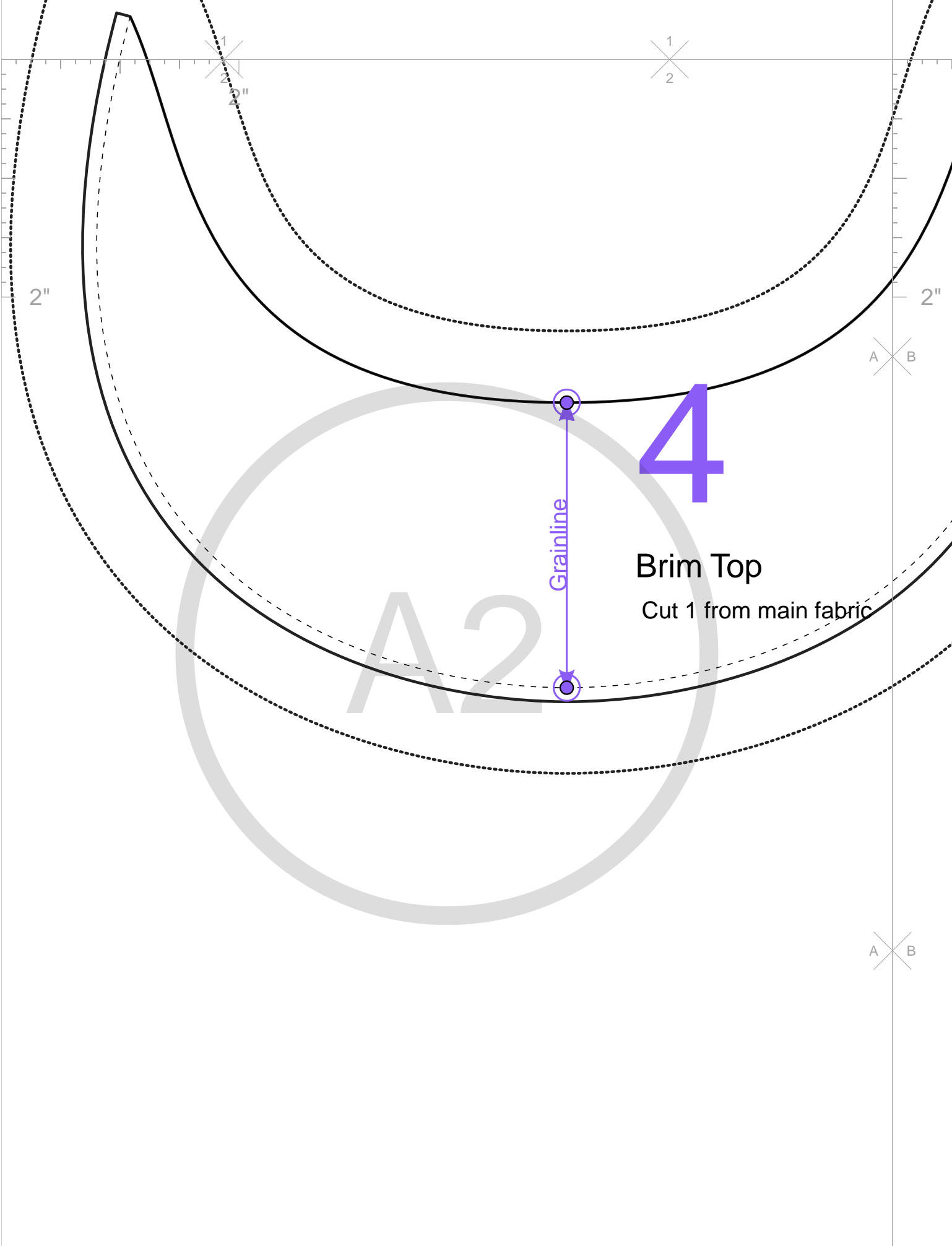
moved from lining

D1

C D

1/2
2
2"

1/2



4

Brim Top

Cut 1 from main fabric

Grainline

2"

2"

2"

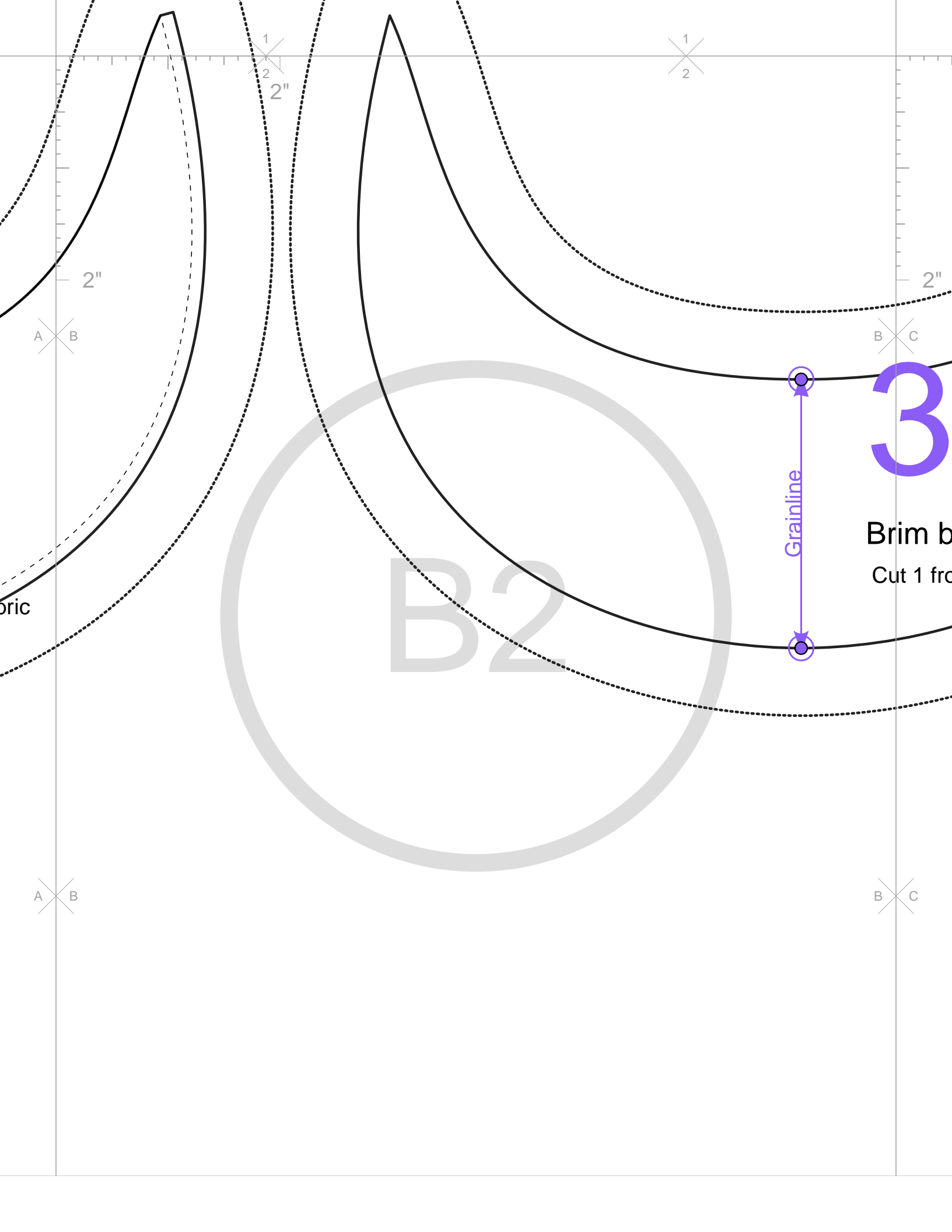
1
2

1
2

A B

A B

A2



1
2
2"

1
2

2"

2"

A B

B C

3

Brim b
Cut 1 fro

Grainline

B2

A B

B C

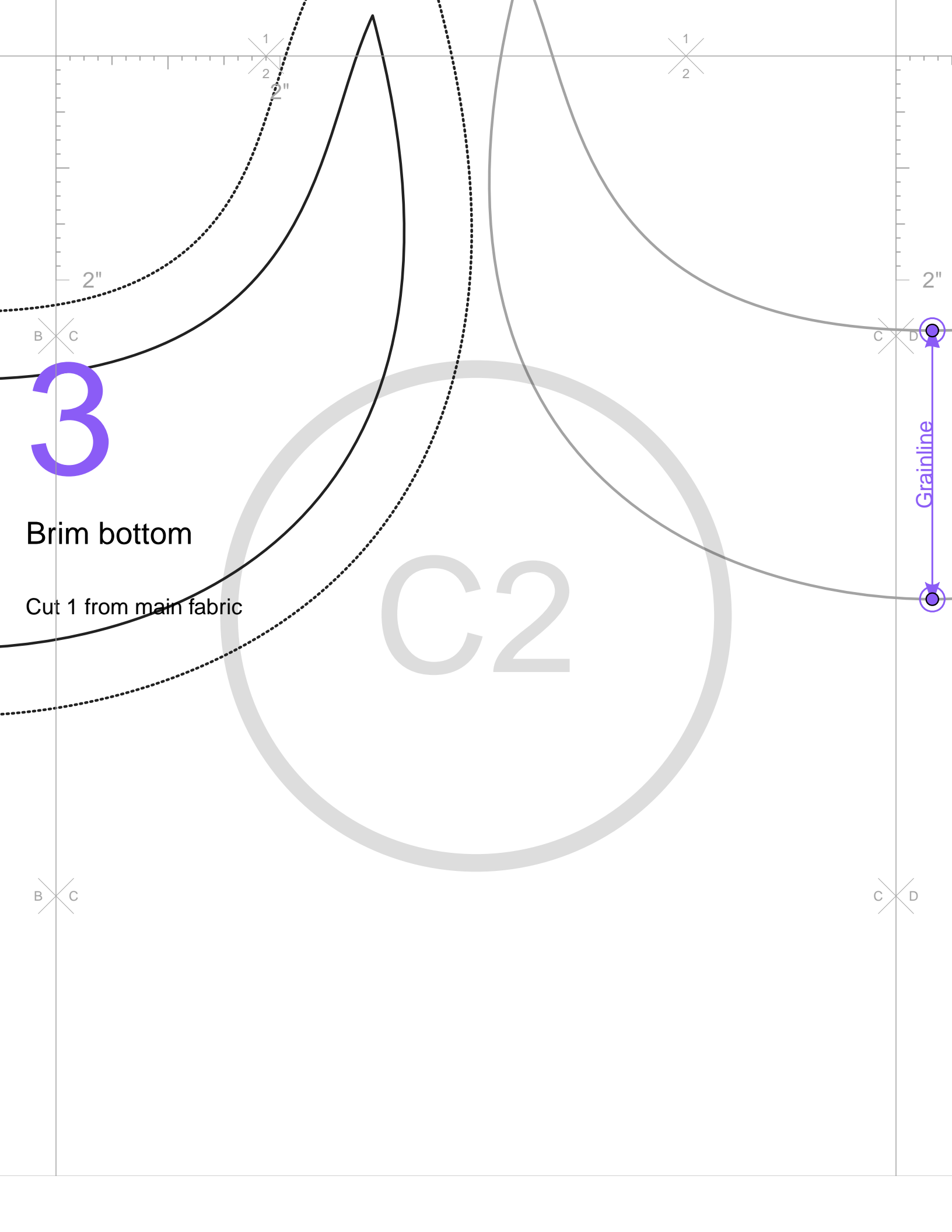
3

Brim bottom

Cut 1 from main fabric

C2

Grainline





2"



5

Grainline

Brim interfacing

Cut 1 from plugin-annotations:rigidInterfacing



D2