

2"

Cut on fold / Grainline

2"

2.5cm x 2.5cm

1" x 1"

2"



2

Side

Cut 1 on the fold from main fabric

Cut 1 on the fold from lining



2"



2

2"

2"

2"

B X C

C X D

2.5cm x 2.5cm

1" x 1"

1

Top

Grainline

Cut 2 mirrored from main fabric

Cut 2 mirrored from lining

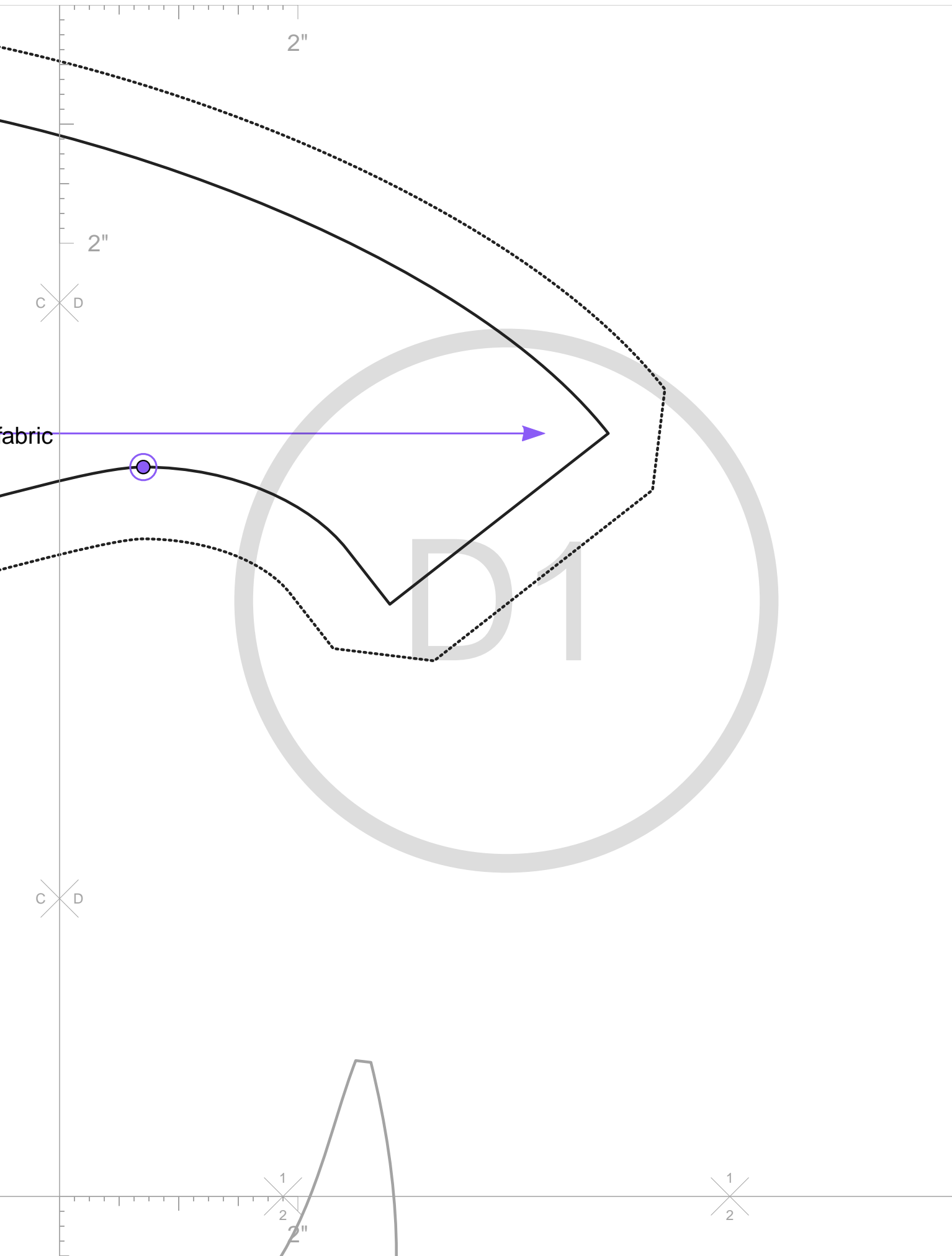
C1

B X C

C X D

1
2
2"

1
2



1
2
2"

1
2

2"

2"

A B

4

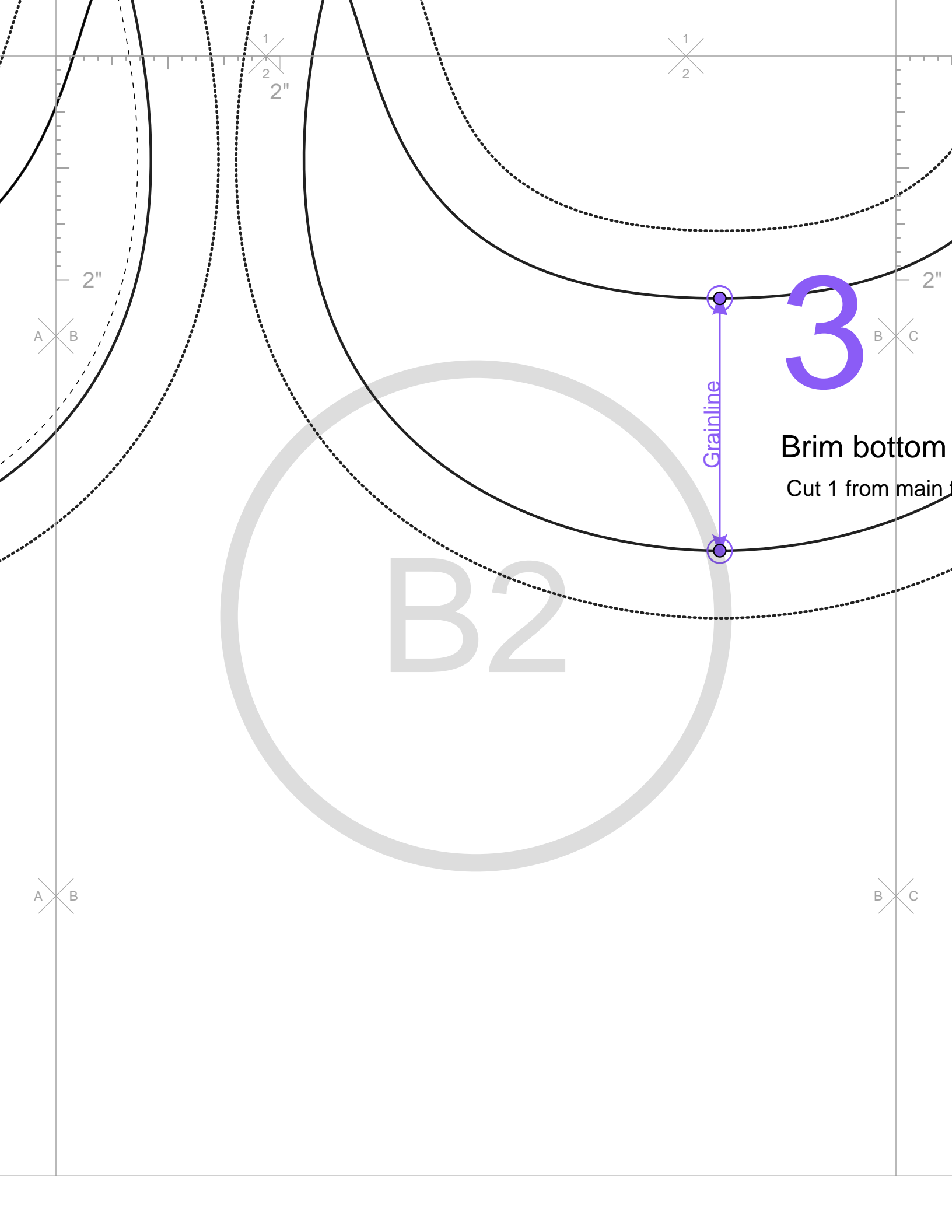
Grainline

Brim Top

Cut 1 from main fabric

A2

A B



1
2
2"

1
2

2"

A B

2"

3

B C

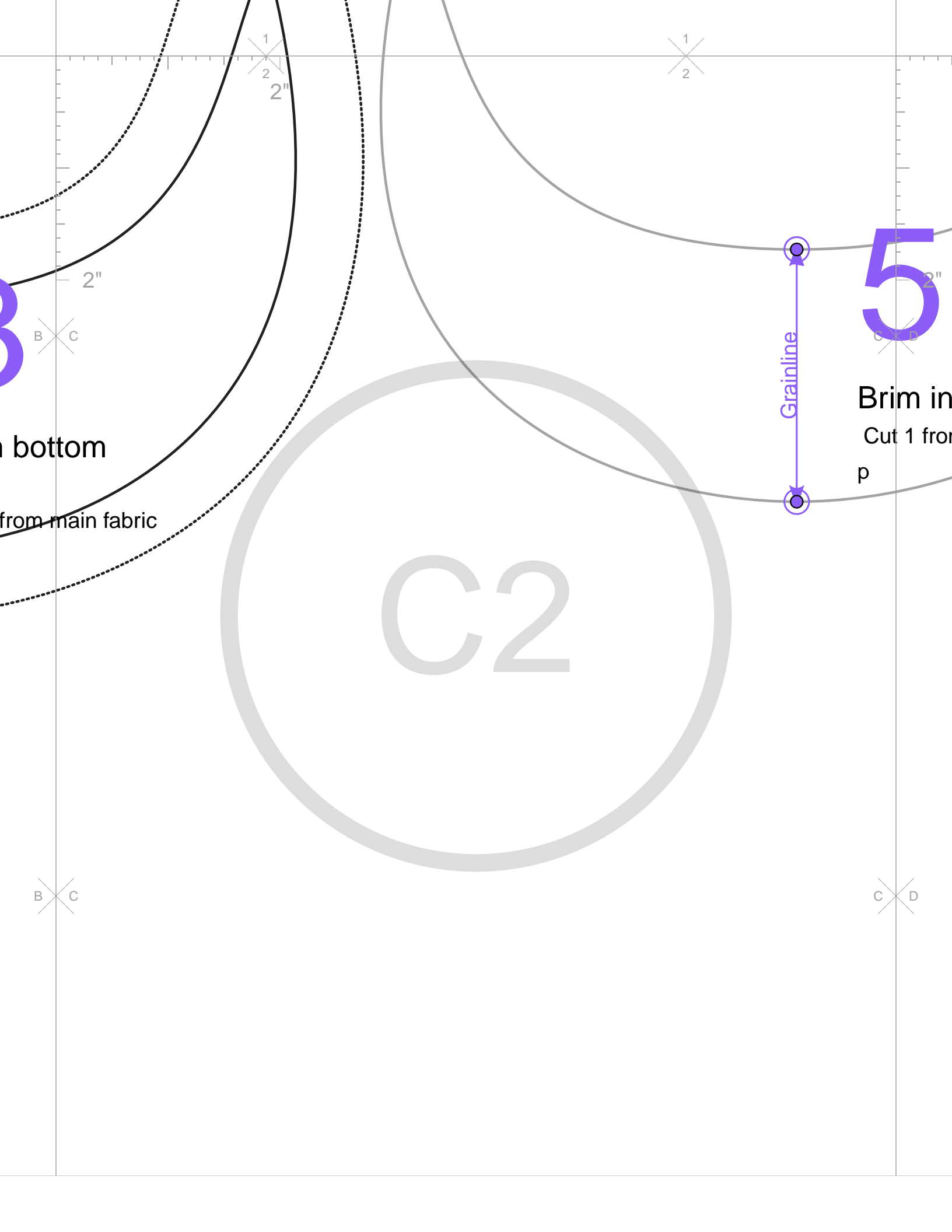
Brim bottom

Cut 1 from main f

B2

A B

B C



1
2
2"

1
2

2"

B C

bottom

from main fabric

C2

Grainline

5

Brim in

Cut 1 from

p

B C

C D



5
2"

Brim interfacing

Cut 1 from plugin-annotations:rigidInterfacing

