

2"

Cut on fold / Grainline

2.5cm x 2.5cm

1" x 1"

2"

2"

A B

2

Side

Cut 1 on the fold from main fabric
Cut 1 on the fold from lining

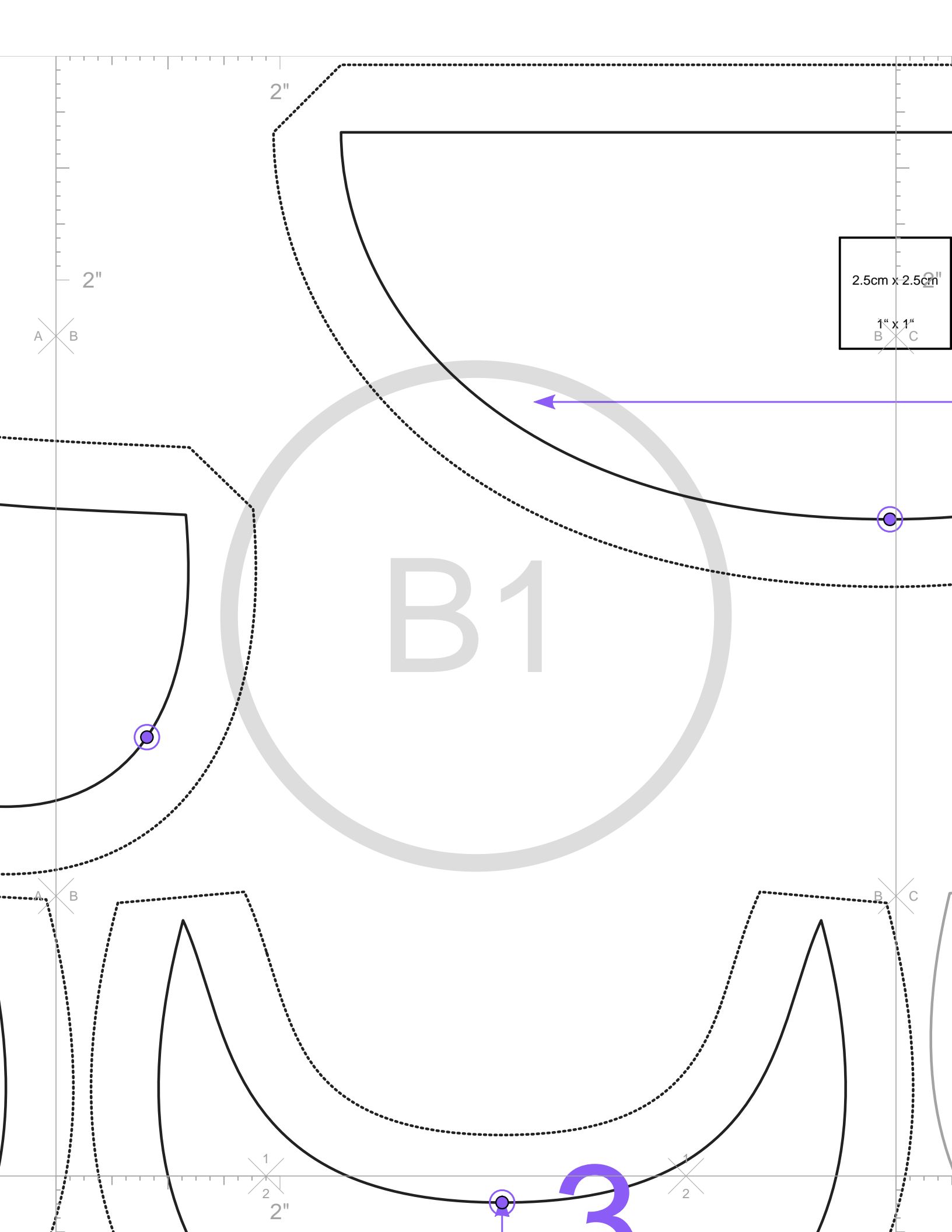


A B

1
2
2"

1
2

1



2.5cm x 2.5cm
1" x 1"
B C

B1

3

A B

B C

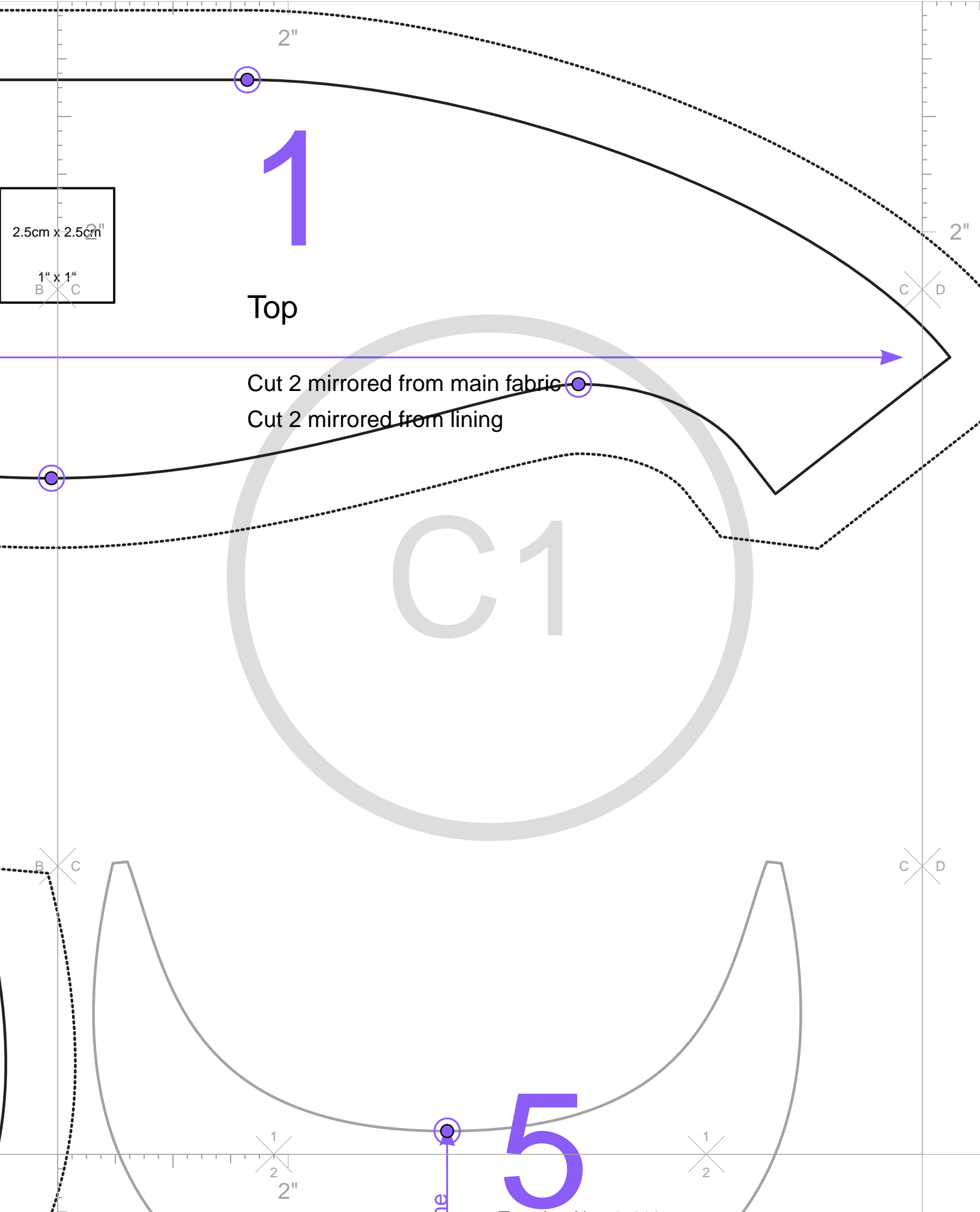
1
2
2"

1
2

2"

2"





2"

1

Top

Cut 2 mirrored from main fabric
Cut 2 mirrored from lining

C1

5

2.5cm x 2.5cm
1" x 1"
B C

2"

C D

B C

C D

1
2
2"

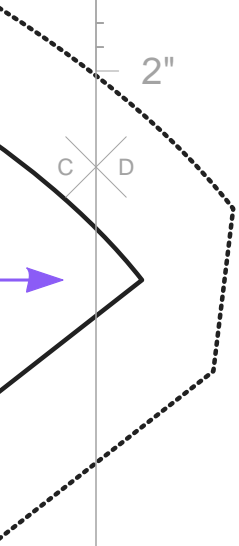
1
2

line

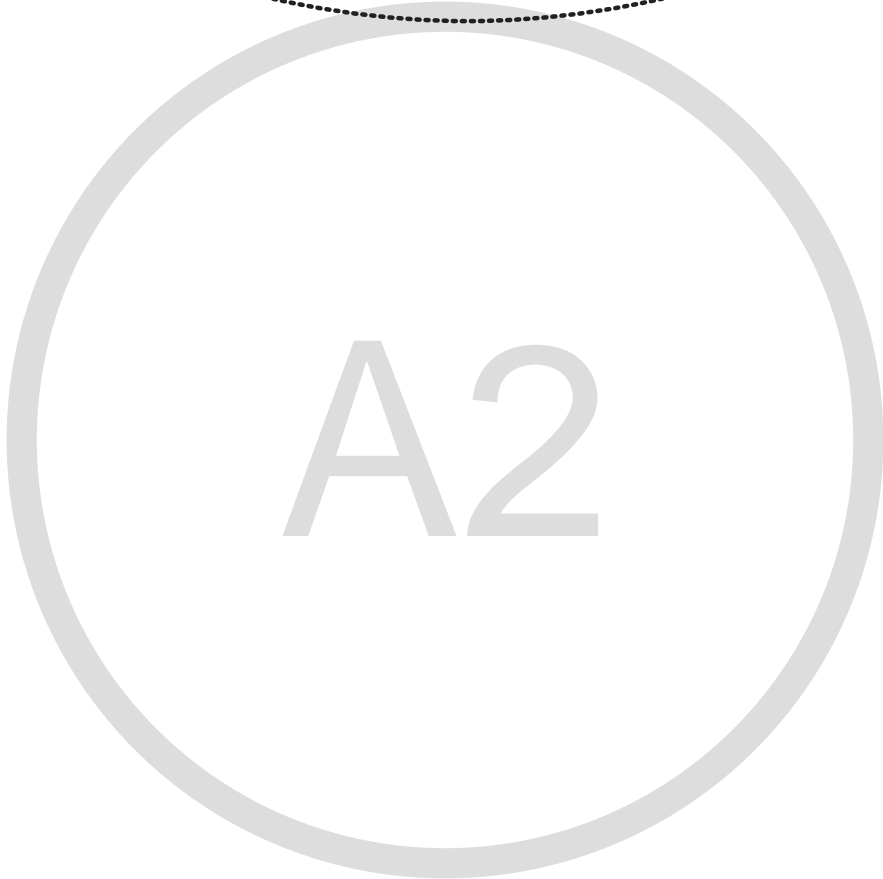
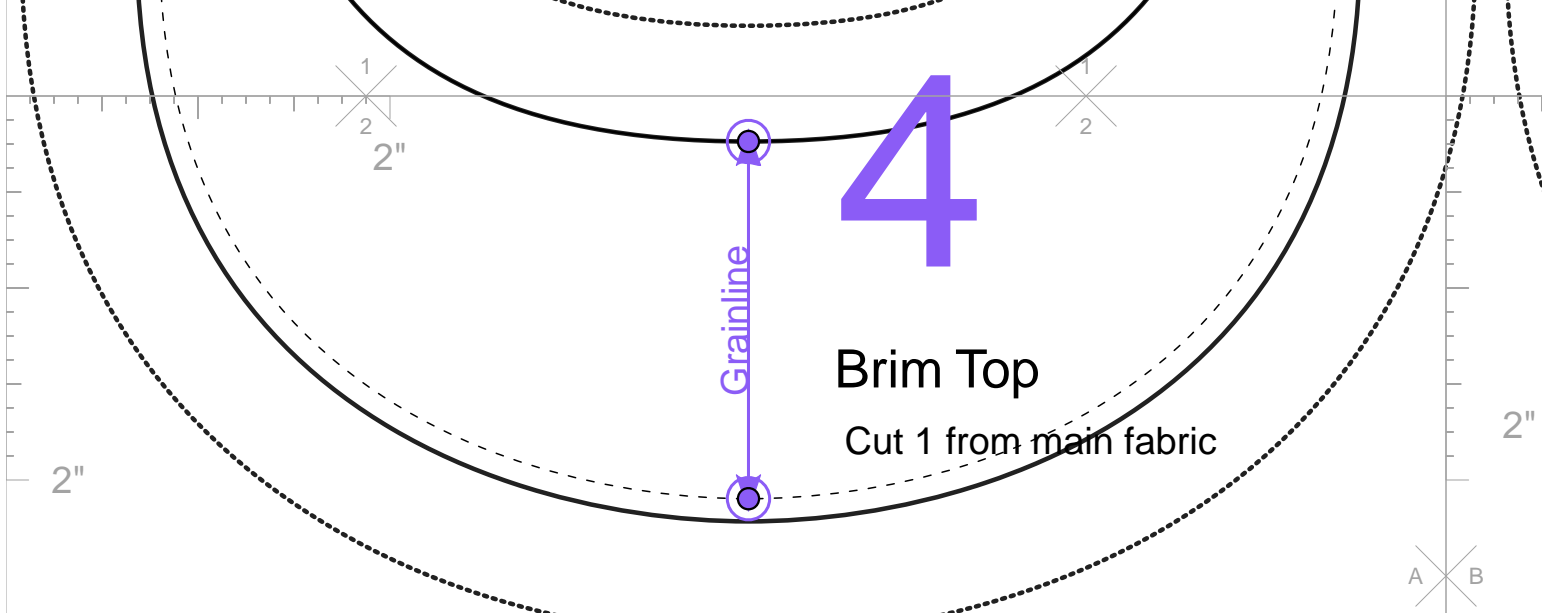
2"

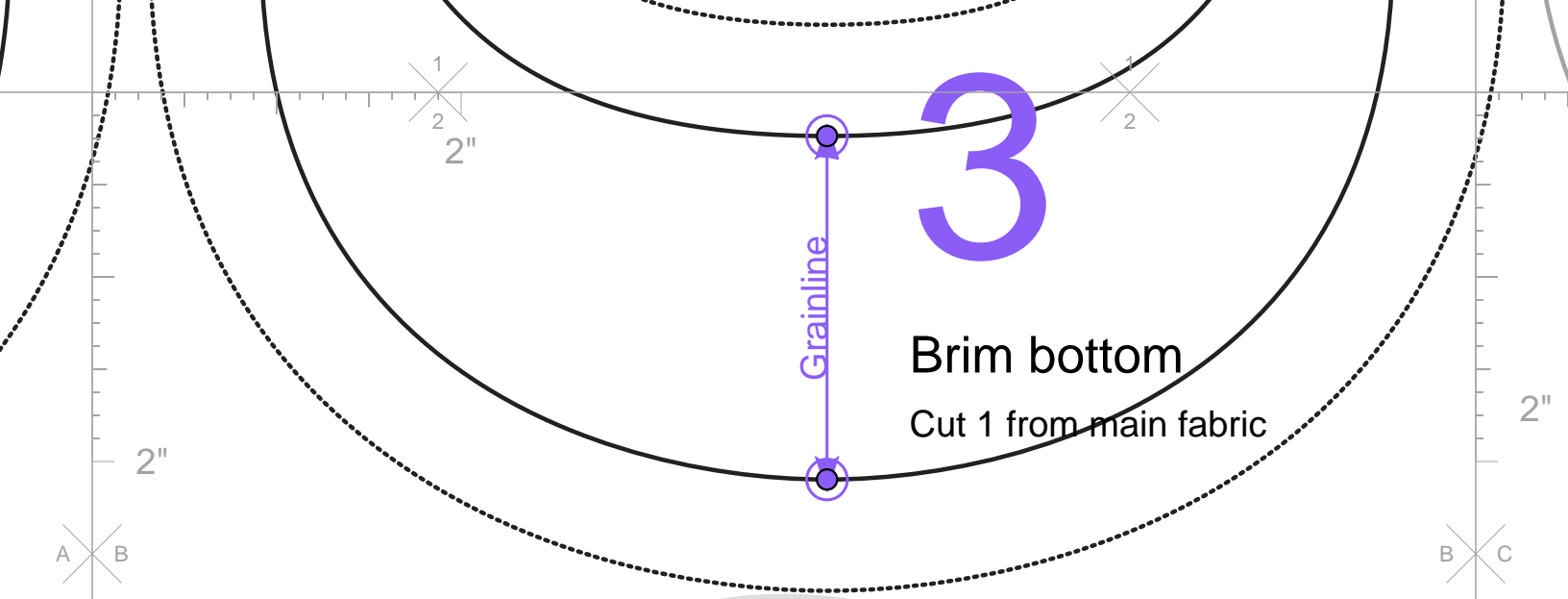
2"

C D



C D





Brim bottom
Cut 1 from main fabric



5

Grainline

Brim interfacing

Cut 1 from plugin-annotations:rigidInterfacing

1
2
2"

1
2

2"

B C



B C